

Data Sheet for Model No. LN053445A

: SCOPE

This Specification describes the requirements of the lithium-ion rechargeable battery supplied by HONG KONG BATTERIES Under GB/T18287-2000



: BASIC CHARACTERISTICS

2.1	Battery Type	LN053445A
2.2	Material of Case	Alumimium Case
2.3	Nominal Voltage	3.7 V
2.4	Nominal Capacity	820 mAh
2.5	Internal Resistance	< 50 mΩ
2.6	Discharge Cut-off Voltage	2.75V (Per Cell)
2.7	Maximum Charge Current	1.0C ~ 1.5C
2.8	Maximum Discharge Current	1.5C
2.9	Maximum Charge Voltage	4.2V
2.10	Charge method	CC/CV (constant current/constant voltage)
2.11	Dimension	Thickness: 5.4 ± 0.1mm Width: 34.0 ± 0.2mm Height: 45.0 ± 0.5 mm
2.12	Weight	About 19.0 (g) only for Reference.
3.13	Operating Temperature:	Charging Temperature: 0~45 Discharging Temperature: -20~60
3.14	Storage Temperature	1 month -20~60 3 month -20~45 1 year -20~25
3.15	Relative Humidity	65 ± 20%
3.16	Visual Requirements	Defects, such as scratches, flaws, dirty spots, rust, deformation, discoloration, leakage, etc., which damages commercial values shall not be presented.
3.17	Voltage of shipment	3.70V ~ 3.75V
3.18	UL is pending for this item. Contact us for detail	
3.19	HkbiL reserves the right to alter or amend the design & specification without prior notice.	

: TECHNICAL REQUIREMENTS

Testing Conditions (unless otherwise specified)

Temperature: :15~35
Relative Humidity : 45%~75%
Atmospheric pressure: :86~106Kpa

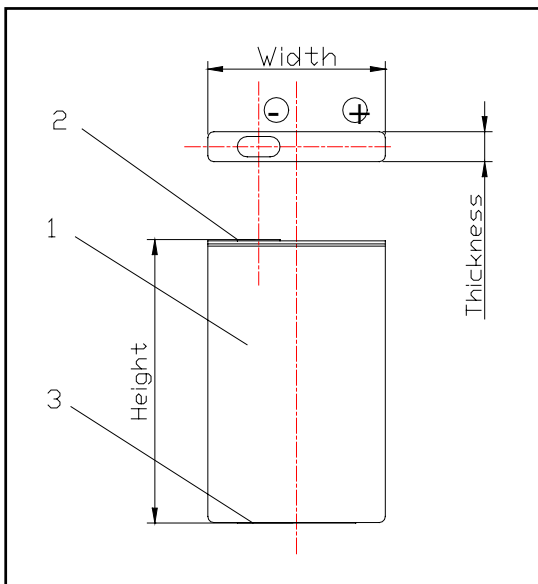
Data Sheet for Model No. LN053445A

: RECOMMENDED PROTECTION FUNCTIONS

The standard charge method is CC/CV (constant current/constant voltage)

NO	Device	Items	Requirements
1	Charger	Charge termination voltage	4.200 ± 0.049V
2	Protection SEIKO Functions (For reference)	Excess Charge detection voltage.	4.275 ± 0.025V
3		Excess Charge release voltage.	4.175 ± 0.050V
4		Discharge termination voltage.	3.00 ± 0.10V
5		Excess discharge detection voltage.	2.3 ± 0.08V
6		Excess discharge release voltage	2.4 ± 0.10V
7		Excess current detection value	2.7 ± 0.2A

Bare Cell-Dimensions Without Tube (mm)



(mm)	Thickness	Width	Length
Bare cell	5.4	34.0	45.0
Battery Pack	(1) & (3) + positive / (2) - Negative		

Note:

- Use a specified charger.
- Do not throw the battery into fire, or heat.
- Do not short-circuit the battery terminals.
- Do not disassemble the battery.

